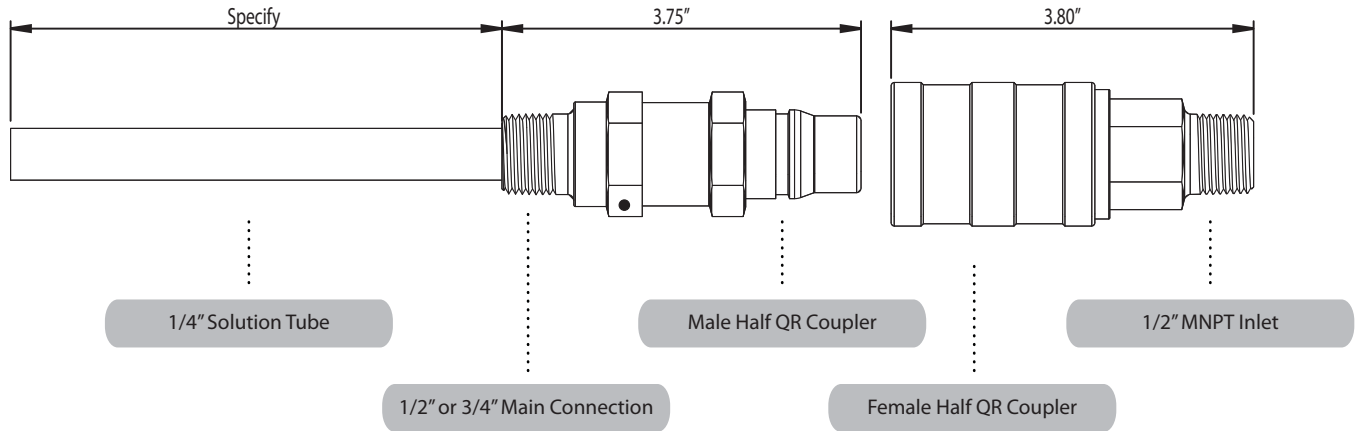


BCK Series

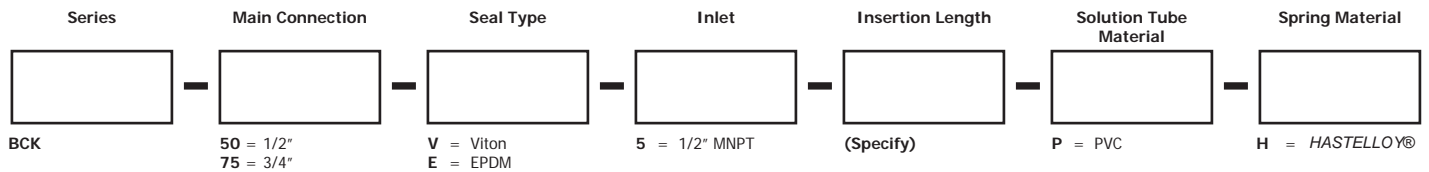
Non-Retractable Injectors 150psi Rated
With Check Valve and QR Coupler



*QR Coupler shown disconnected for clarity.

Ordering Information

Sample Part Number: BCK-50-V-5-6-P-H



Note: PVC models have a maximum warranted insertion length of 6 inches. Consult factory for lengths greater than 6 inches.

Technical Notes

1. PVC and CPVC Solution Tubes are Schedule 80 pipe with an O.D. of 0.675 inches and an average I.D. of 0.403 inches.
2. Alloy Solution Tubes are Schedule 40 pipe with an O.D. of 0.540 inches and an average I.D. of 0.344 inches.
3. Saf-T-Flo does not recommend nor warranty PVC/CPVC Solution Tubes where velocities in the process main exceed 6 fps.

HASTELLOY® is a registered trademark of Haynes International, Inc.
Kalrez® is a registered trademark of Dupont Performance Elastomers L.L.C.