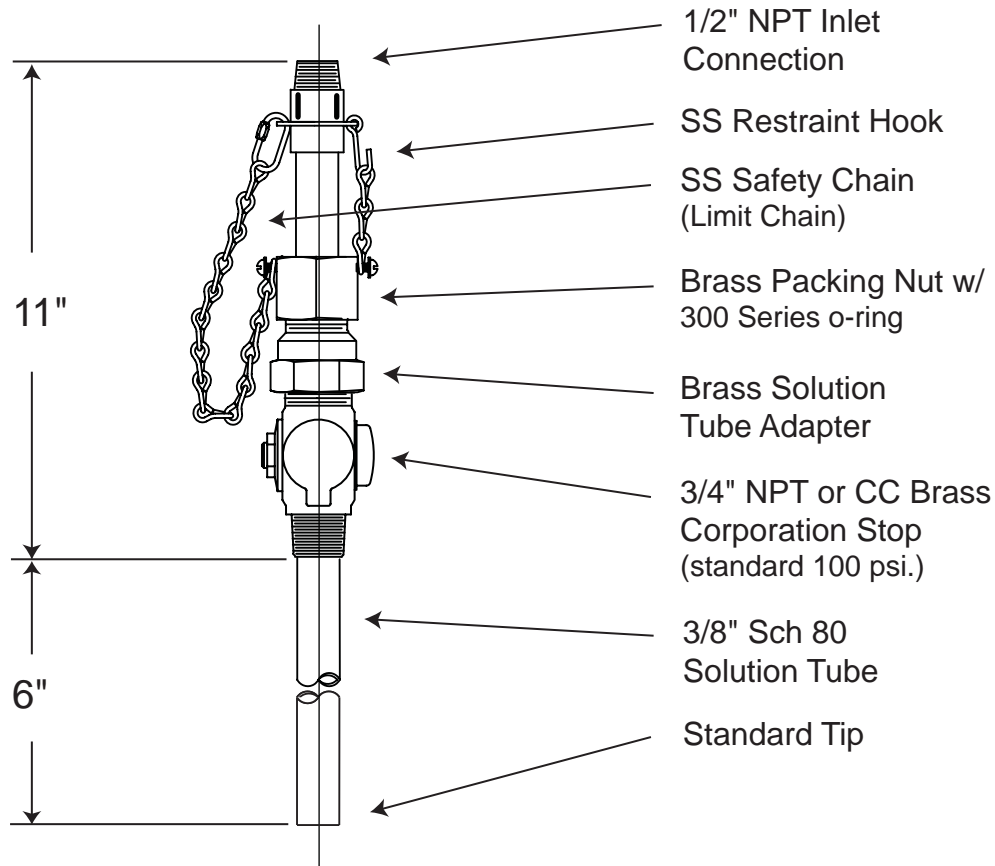


**3/4" Corporation Stop with a 3/8" Solution Tube**

RATED TO 100 PSI.



**SAMPLE PART NUMBER**

EB-129-B-P-6-0

