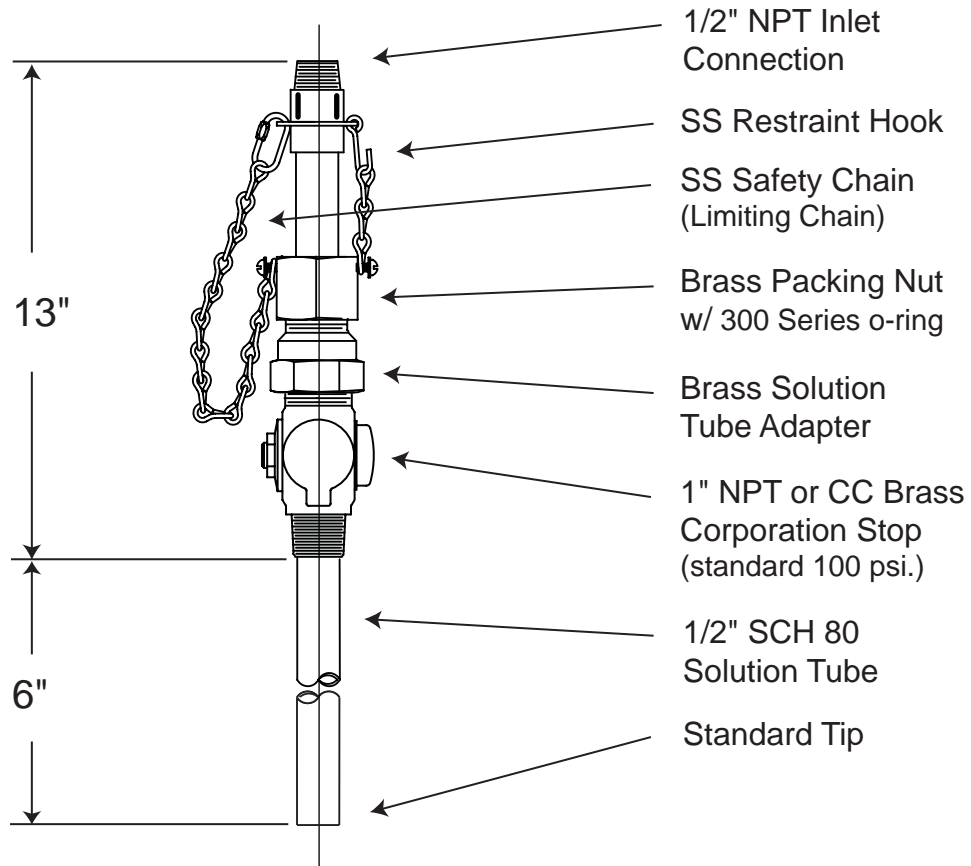


1" Corporation Stop with a 1/2" Solution Tube

RATED TO 100 PSI.



SAMPLE PART NUMBER

EB-131-B-P-6-0

